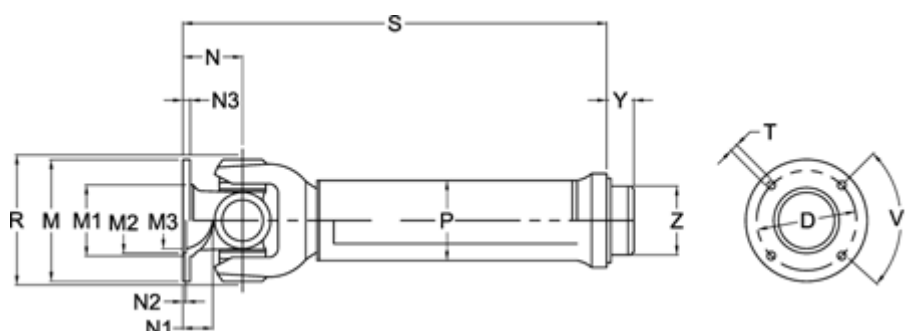


Article number: 071100700244100

Description: Cardan drive shaft 0.110.070.001
S=244 X=100 Bore with keyway

Measures



D	= 84 \pm 0,1	N1	= 20	T	= 8 B12
Extension X	= 100	N2	= 2,5 \pm 0,3	V1 degrees	= 60
Flange diameter M	= 100	N3	= 7	Y	= 18
M1	= 66	Number of Flangeholes	= 6	Z	= 44.25
M2	= 57	P	= 50x3		
M3	= 52	R1	= 98		
Max. Bending Angle degrees	= 20	S min	= 244		
N	= 46	Spline dim. DIN 5480	= 35x2x16		